



Ahmed Othman ALhussaini Trading Co.

Factory OF Irrigation Fields for Industrial

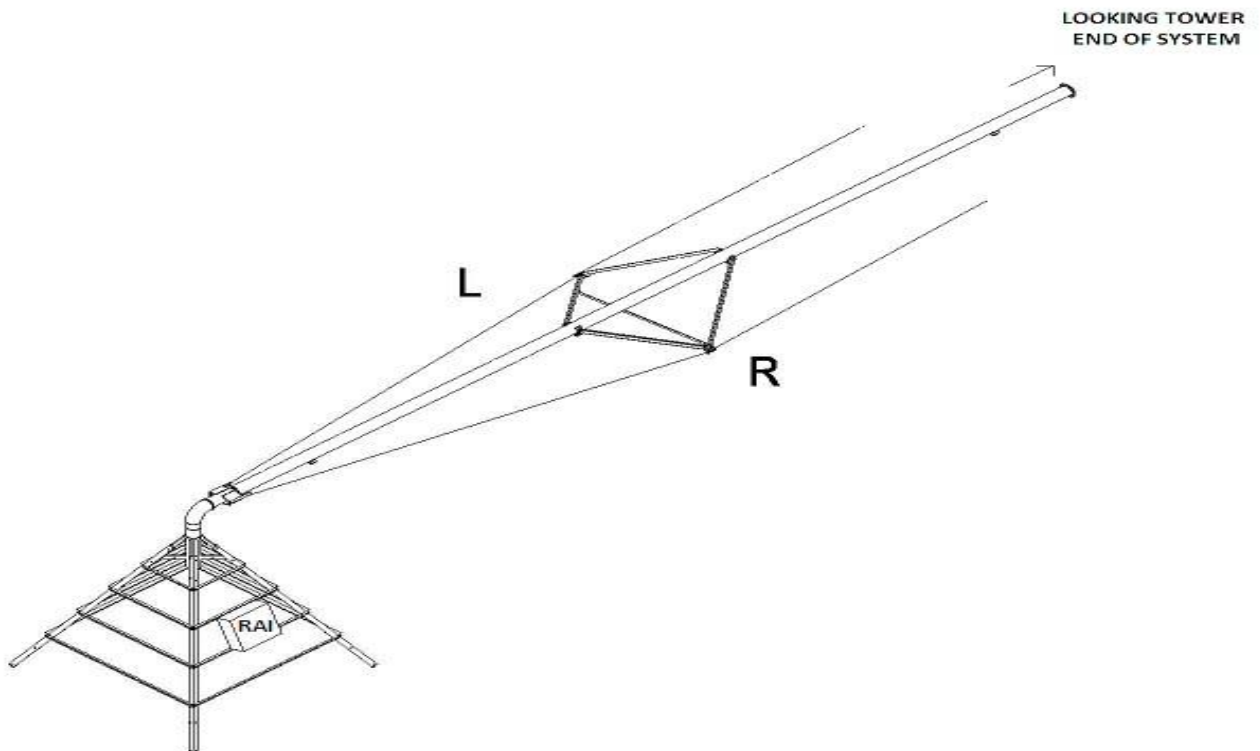
2018

Installation Manual

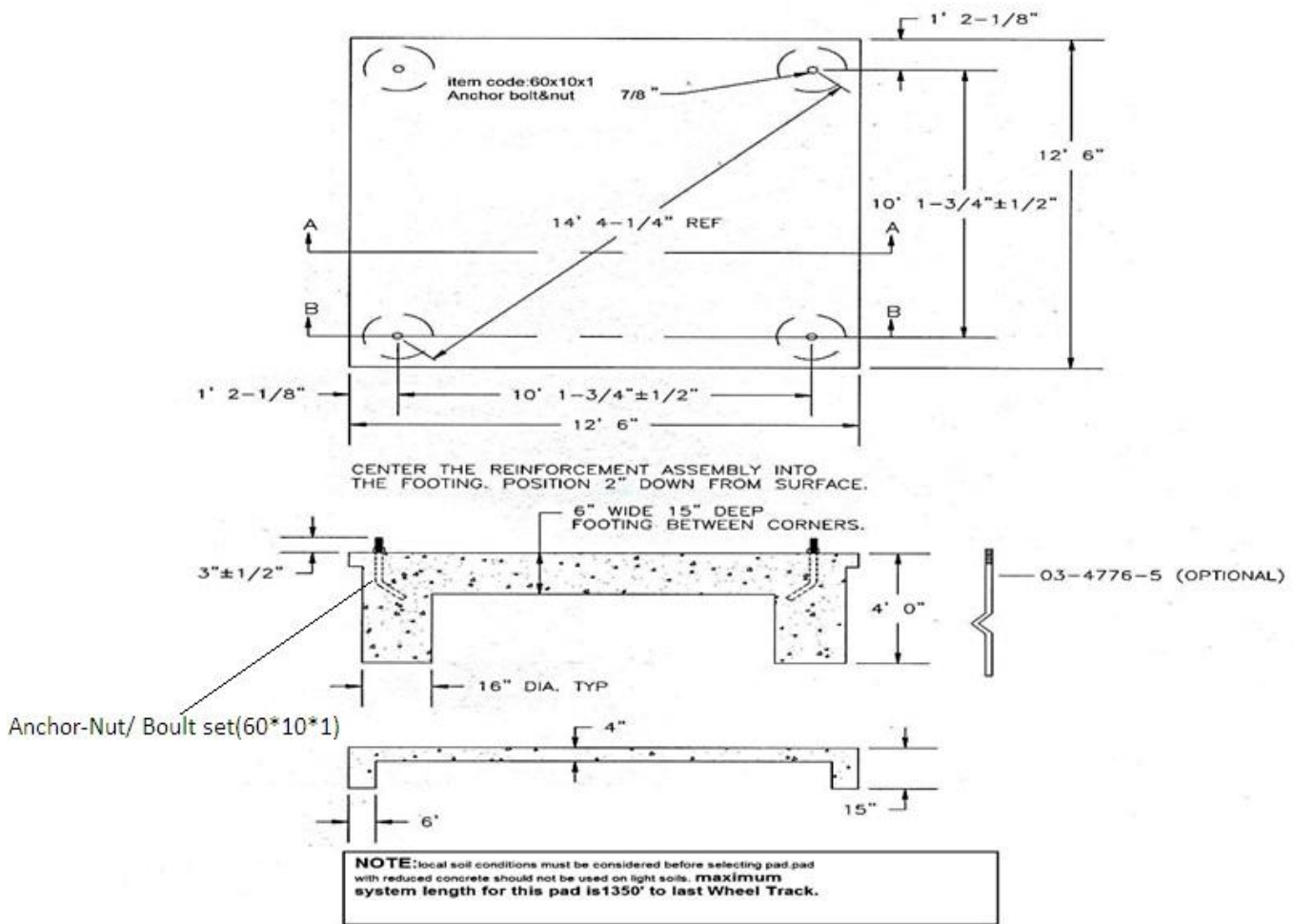


Table Content

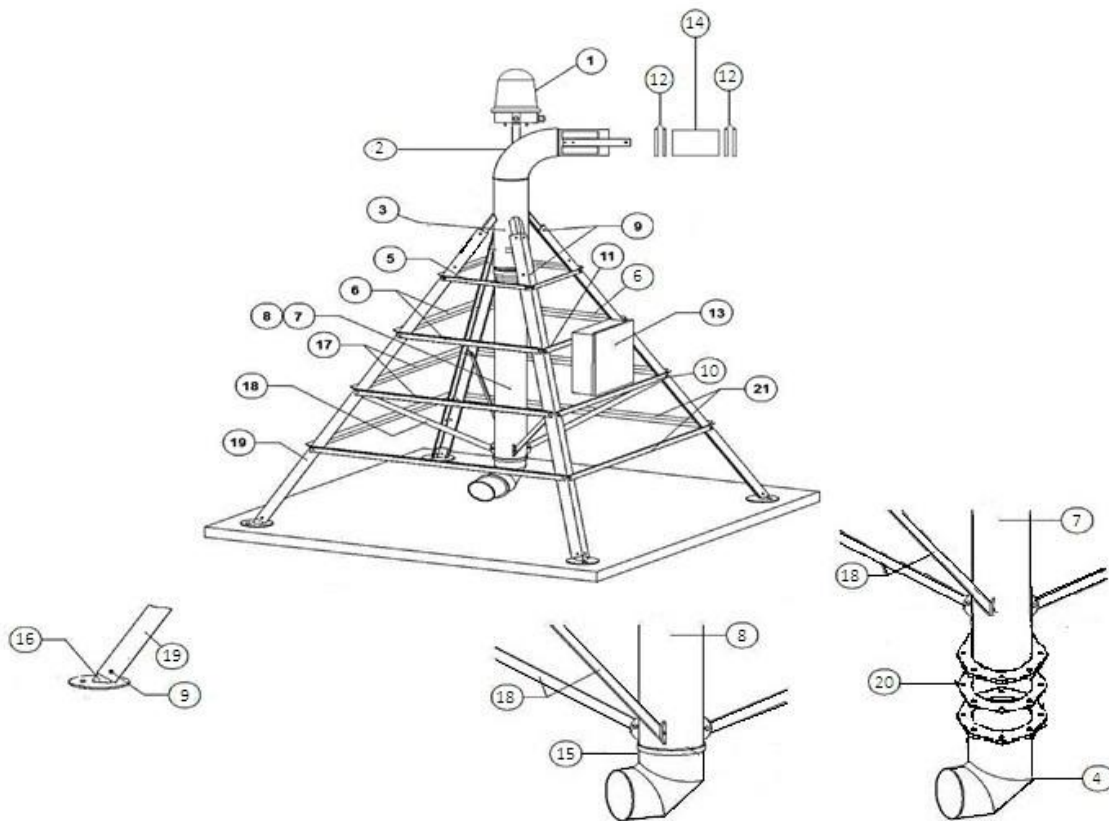
The Title	The page
Alternate Concrete Pad	2
Pivot Assembly 8"	3,4
Tower Legs and Stabilizer Angles 6-5/8	5,6
"Joint Assembly 6-5/8	7,8
Span & Angle Truss Assembly	9,10
power Frame Assembly	11,12
Over Hang 11.28m Assembly	13,14
Over Hang 6m Assembly	15,16
Master Control Panel	17,18



Alternate Concrete Pad



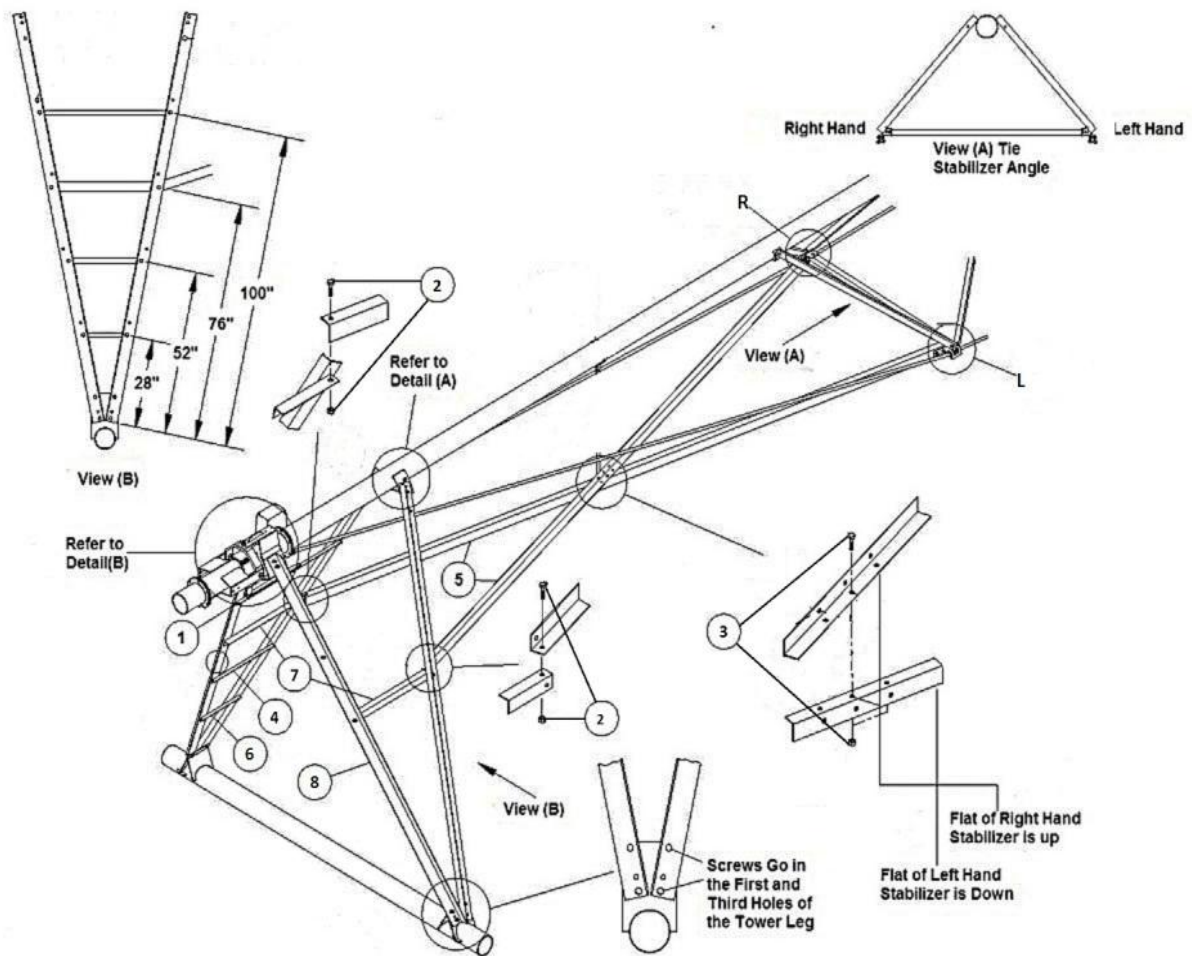
Pivot Assembly 8"



Pivot Assembly 8"

NO	Description	Part No
1	Collector Ring	63.RT.10
2	Pivot Elbow 8 inch	2-00090-9
3	Pivot Head	2-00090-8
4	Elbow 8inch with flange	13409-F
5	Tie pivot top 80cm	2.0450.6
6	Brace truss 130cm	2.0530.5
7	Riser pipe ZIMATIC with flange	2.0610.4
8	Riser pipe ZIMATIC with Ring gat	2.2053.3
9	Bolt/Nut 5/8*1 1/2	5/8*1 1/2
10	Tie pivot panel Bottom mounting	2.0610.4-B
11	Tie pivot panel top mounting	2.0530.5-T
12	CLAMP 6 5/8 (USA)	US.HYDRUS
13	Master control panel	CRN.MCP.ZIM
14	Rubber Boot 6 5/8	03.658.R
15	Pivot Elbow 8 inch Ring lock	13409.8
16	Put lig ZIMATIC	2.0062.4
17	Tie truss ZIMATIC 182cm	2.0610.4
18	Starp pivot ZIMATIC	2.2053.3
19	Pivot leg	3-0431-9
20	Gasket Valley 8inch	992439
21	Brace truss ZIMATIC 2345cm	2.2053.3

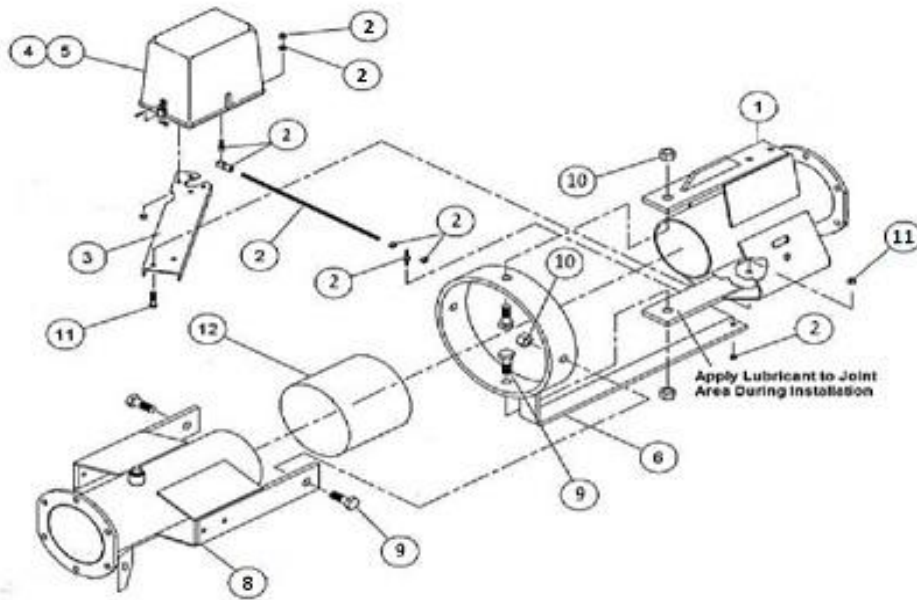
Tower Legs and Stabilizer Angles 6-5/8



Tower Legs and Stabilizer Angles 6-5/8

NO	Description	Part No
1	Tie Tower Top 114cm	3-2344-4
2	Bolt/Nut lock	1/2*1 1/4
3	Bolt/Nut lock	1/2*1 3/4
4	Tie Tower Top 65cm	3-2347-7
5	Stabilizer Angle 591cm	3-4747.3
6	Tie Tower Top 41cm	3-05134
7	Tie Tower Top Blat 94cm	04.2464.7
8	Tower leg 335cm	3-6741-7

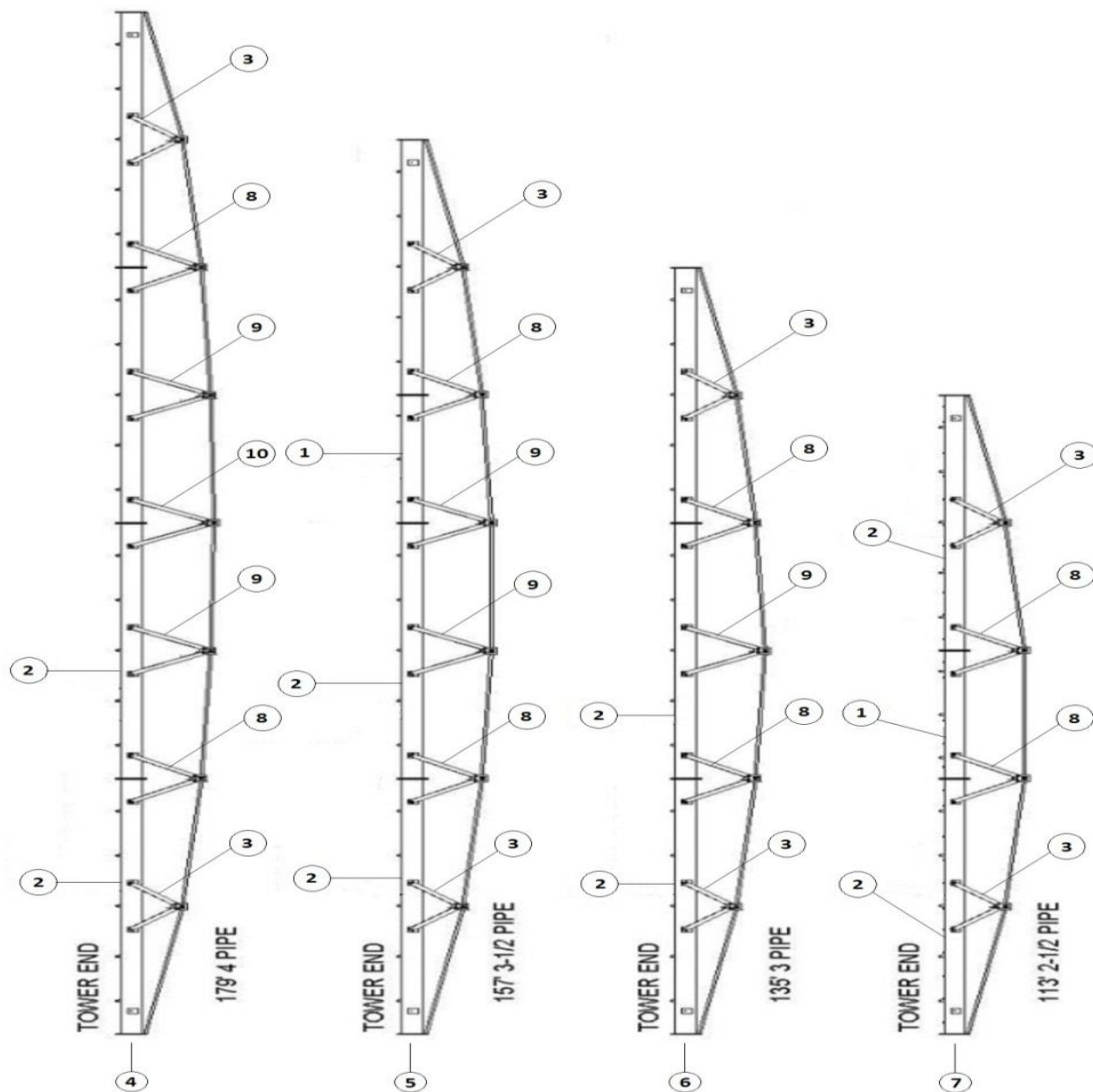
Joint Assembly 6-5/8"



Joint Assembly 6-5/8"

NO	Description	Part No
1	Tower Joint	3-0587-7
2	Rod link joint of Set	6-3718-1
3	Mount Tower	MTBG2SDN
4	Tower Box STD	F-327301
5	Tower Box Last	F-327351
6	Octagon Ring	3-6587-0
7	Nut 1.5 inch	N- 3/8*1 1/2
8	Pivot JOINT	3-0867-7
9	Polt 3/4*2 inch	3/4*2
10	Nut 3/4 inch	N- 3/4*2
11	Polt 3/8*1.5 inch	3/8*1 1/2
12	Rubber Boot 6 5/8	03.658.R

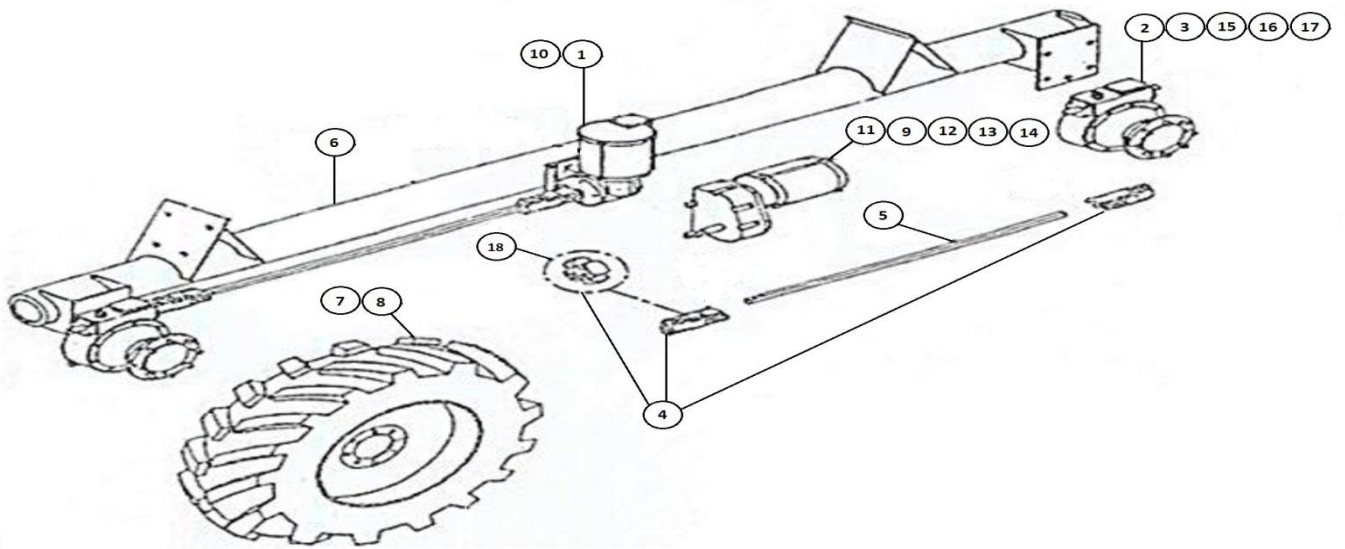
Span & Angle Truss Assembly



Span & Angle Truss Assembly

NO	Description	Part No
1	ZIMATIC pipe 6 5/8	P1658DN
2	ZIMATIC Half pipe 6 5/8	Zi- 1423-pi
3	Brace Truss 161cm	2-0290-6
4	Tower 54m	TWR 54
5	Tower 48m	TWR 48
6	Tower 41m	TWR.41
7	Tower 34m	TWR 34
8	Brace Truss 207cm	2-0392-4
9	Brace Truss 249cm	2-0391-4
10	Brace Truss 259cm	2-0393-4

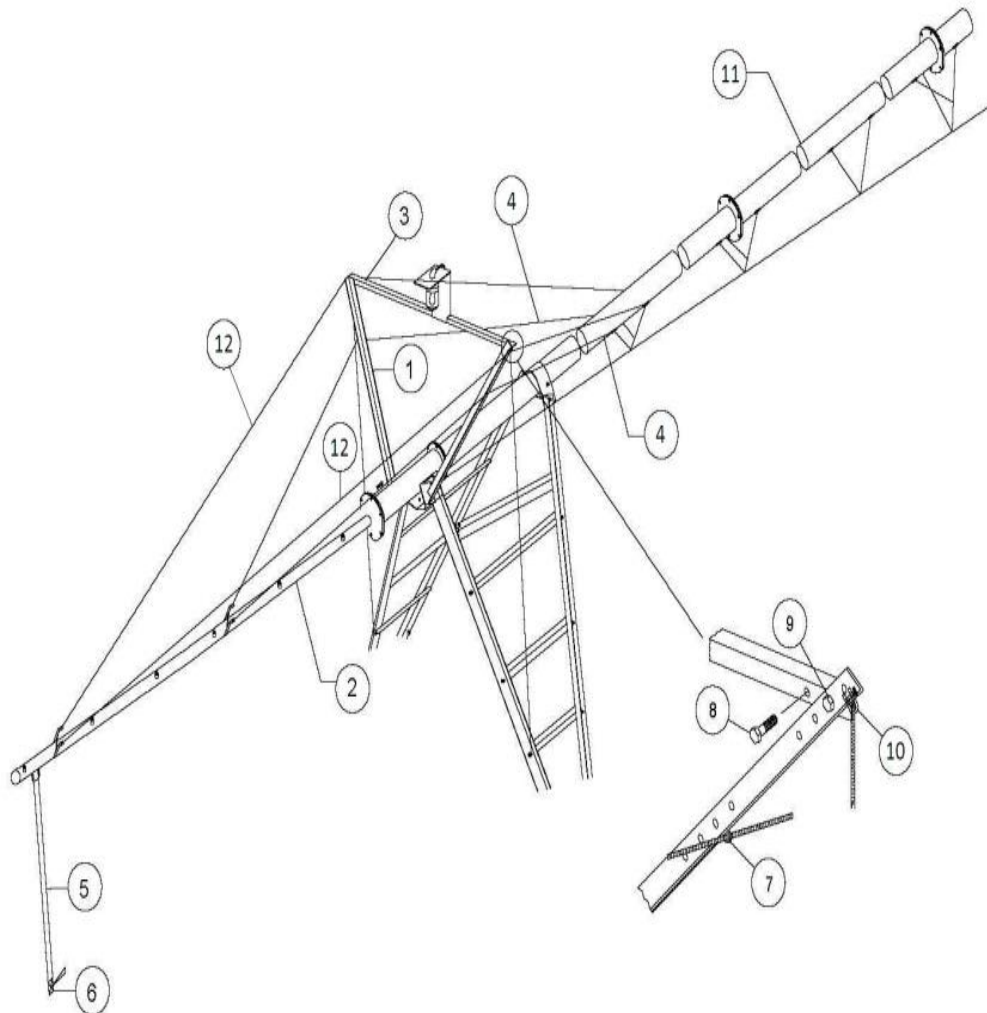
Power Frame Assembly



Power Frame Assembly

NO	Description	Part No
1	Gear Motor 1.5 U.S	04.100000
2	Gear Box RAI 50:1	A1239C
3	Gear Box RAI VALLY 52:1	A1239C-V
4	Coupler SET 7/8 inch	VLKAO1075
5	Drive Shaft 7/8 Galva	32243510SPL
6	Power Frame Hussaini	P1658DN
7	Tire Speed Ways INDA 6P .9*24	TIR 14.9*24*SP
8	Tire Speed Ways INDA 8P .9*24	TIR 14.9*24*8SP
9	Gear Motor Durst(3/4HP)	GMD.3/4
10	Gear Motor.U.S:1HP(39:1)	1.04.100039
11	Gear Motor 1.2*68 RPM	GMD.1.2
12	Gear Motor Top Trust 1.5HP	GMT.1.2
13	Gear Motor 1HP(39:1)	1.04.100039
14	Gear Motor LINDSAY	6.3371.9
15	Gear Box DURST(A129-2CH)	A129.2CH
16	Gear Box RAI DURST.(VALLEY)	A1339.7786
17	Gear Box ZIMATIC LINDSAY 50:1	A12761Z
18	Rubber Coupler (yellow)	50.005Y

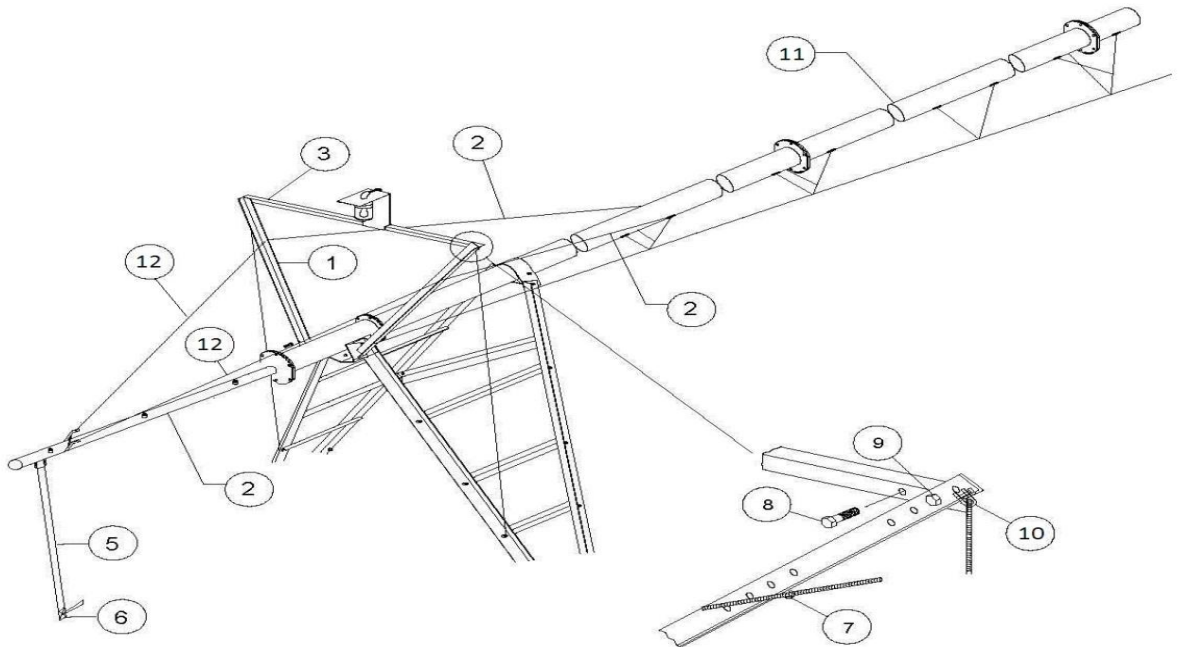
Over Hang 11.28m Assembly



Over Hang 11.28m Assembly

NO	Description	Part No
1	Over Hang Brace Truss 200cm	OV-PT180
2	Over Hang Pipe	OV-2345-2
3	Over Hang Brace Truss 240cm	OV-PT180-1
4	Over Hang Cable 6mm	O.H.C-6MM
5	Snap pipe 2"*1.5m	SA-1 1/2
6	Gate Valve 2inch	GAT.2
7	N-Bolt Clamp	U-BO-C
8	Bolt/Nut Lock	1/2*1 3/4
9	Bolt/lock Nut W	5/8*1 1/2
10	Eye Bolt	EY-B
11	ZIMATIC Pipe 6.5/8inch	P1658DN
12	Over Hang Cable 8mm	O.H.C-8MM

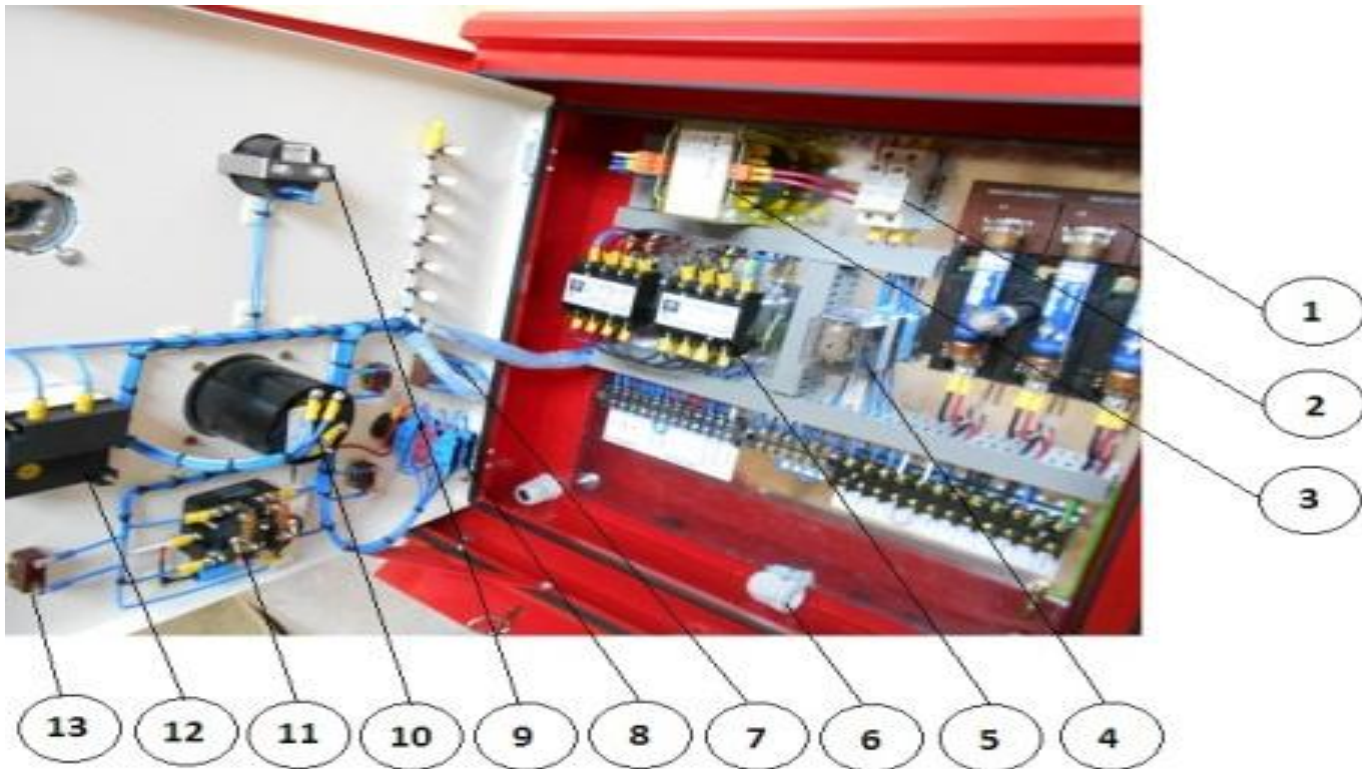
Over Hang 6m Assembly



Over Hang 6m Assembly

NO	Description	Part No
1	Over Hang Brace Truss 200cm	OV-PT180
2	Over Hang Pipe	OV-2345-1
3	Over Hang Brace Truss 240cm	OV-PT180-1
4	Over Hang Cable 6mm	O.H.C-6MM
5	Snap pipe 2"*1.5m	SA-1 1/2
6	Gate Valve 2inch	GAT.2
7	N-Bolt Clamp	U-BO-C
8	Bolt/Nut Lock	1/2*1 3/4
9	Bolt/lock Nut W	5/8*1 1/2
10	Eye Bolt	EY-B
11	ZIMATIC Pipe 6.5/8inch	P1658DN
12	Over Hang Cable 8mm	O.H.C-8MM

Master Control Panel



Master Control Panel

NO	Description	Part No
1	Main Disconnect 30A handle Kit	D10SI
2	Double Fuse Holder 2A	RT.18
3	Transformer 500VA , RAI-SPAIN	TRN.500VA
4	Relay Latch EAGLE	27Q2CA120.M
5	Double Contactor RAI 4P 120V	3355AC.4DBL
6	Cable Gland 1/2"	9.0839.0
7	Toggle Switch 9Pin	TW01.TS3035
8	Selector Switch FWD/REV	RB2.BE102
9	Hour Meter 24v	106111
10	Percent Timer – EAGEL.120V	HQ48AG
11	Relay S.P.D.T 120V	9.8890.7
12	Voltmeter 600V, 72*72mm	BE.72
13	Toggle Switch 2Pin	TW01.TS3035